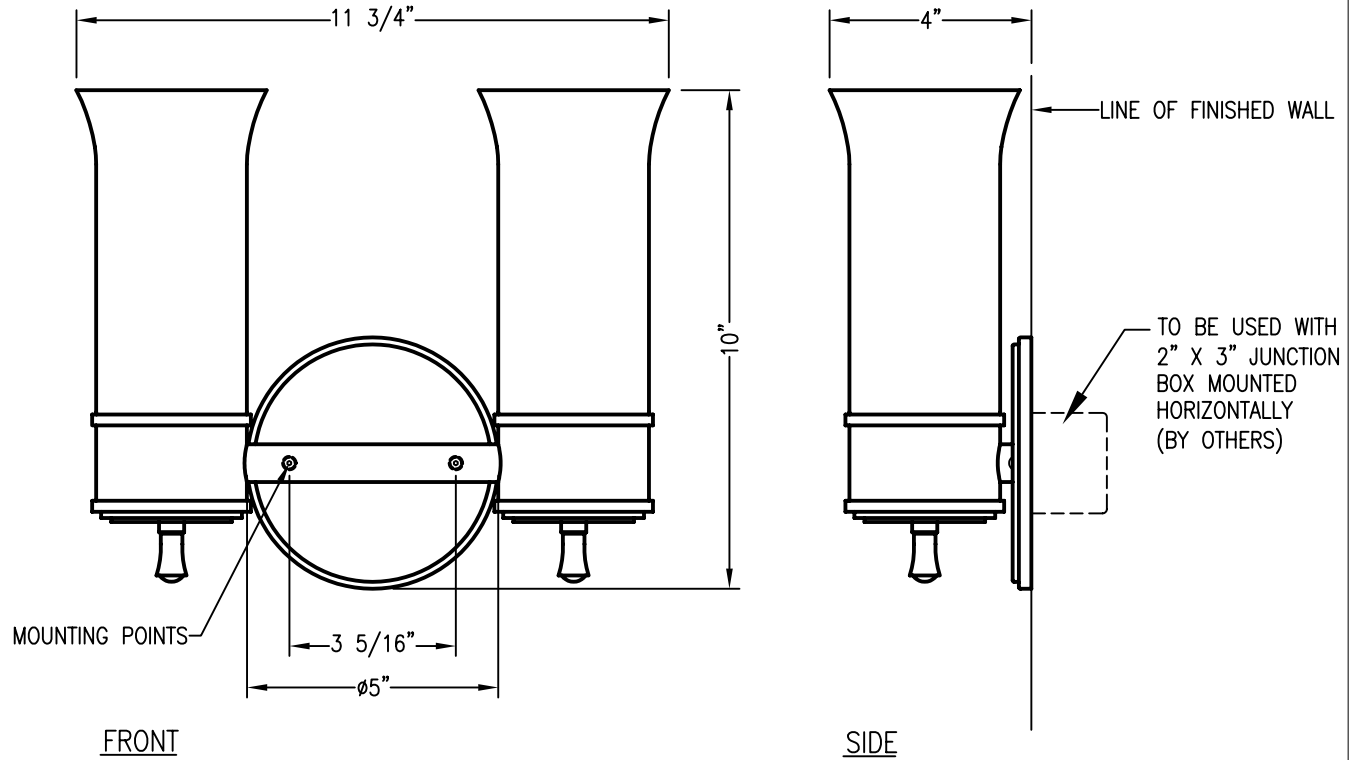


# THE REGH COLLECTION



© BALDINGER ARCHITECTURAL LIGHTING, INC.

FIXTURE WEIGHT: 7 LBS

PURCHASER: \_\_\_\_\_ DATE: 06/07/05

JOB NAME: \_\_\_\_\_ TYPE: \_\_\_\_\_ QUANTITY: \_\_\_\_\_

**METAL FINISHES**

- POLISHED BRASS
- SATIN BRASS
- ANTIQUE BRASS
- POLISHED NICKEL
- SATIN NICKEL
- OTHER \_\_\_\_\_

**DIFFUSERS**

- BEIGE FAUX ALABASTER
- WHITE FAUX ALABASTER
- WHITE CASED GLASS W/ CLEAR INCISED LINE
- CLEAR FROSTED GLASS
- OTHER \_\_\_\_\_

**LAMPING**

- (2) CFQ 13W (120V only)
- (2) 60W BT-15\* (120V only)
- OTHER \_\_\_\_\_

\*BT-15 IS A PHILLIPS EXCLUSIVE LAMP

**VOLTAGE**

- 120V
- 277V
- OTHER \_\_\_\_\_

JOB #:

**BALDINGER**

BALDINGER ARCHITECTURAL LIGHTING INC  
19-02 STEINWAY STREET, ASTORIA, NEW YORK 11105  
TEL. (718) 204-5700 FAX. (718) 721-4986

ENDICOTT/WS  
RA30651