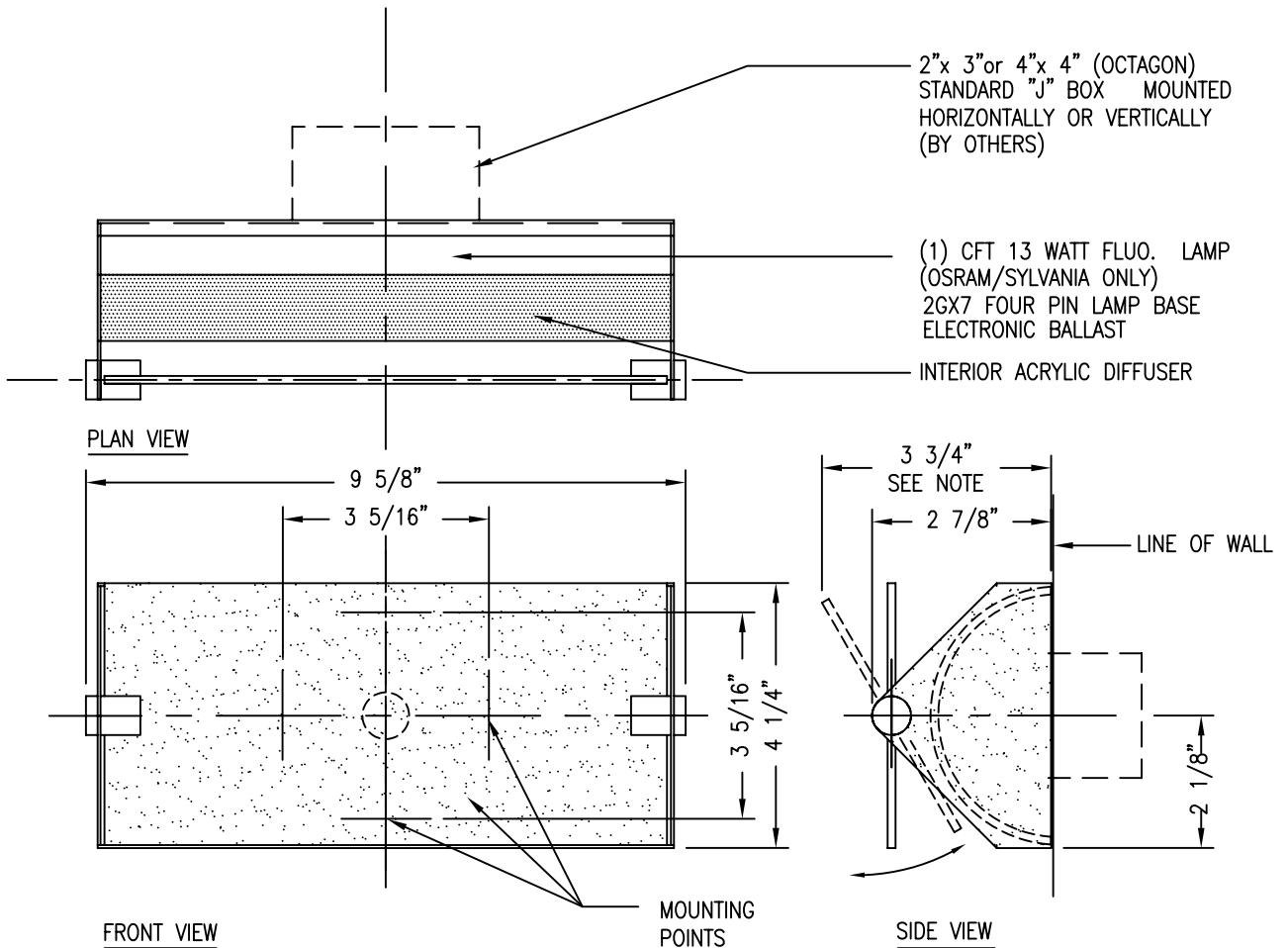


THE ROCKWELL GROUP COLLECTION



NOTE:
DIFFUSER PIVOTS TO A MAXIMUM OF 3 3/4" FROM THE WALL.
ADA COMPLIANT IN ANY POSITION



US PATENT PENDING

© BALDINGER ARCHITECTURAL LIGHTING, INC.

FIXTURE WEIGHT: 5 LBS

PURCHASER: _____ DATE: _____

JOB NAME: _____ TYPE: _____ QUANTITY: _____

METAL FINISHES

- POLISHED STAINLESS STEEL
- SATIN STAINLESS STEEL
- PAINTED BLACKENED STEEL
- PAINTED RUSTED IRON
- PAINTED GLOSS WHITE
- OTHER _____

DIFFUSERS

- WHITE ACRYLIC
- CLEAR FROSTED SEEDED GLASS
- LIGHT AMBER FROSTED SEEDED GLASS
- SILVER MICA (MOUNTED BETWEEN ACRYLIC)
- AMBER MICA (MOUNTED BETWEEN ACRYLIC)
- LAMINATED GINGKO LEAVES (MOUNTED BETWEEN GLASS)
- COLOR BLOCK (MOUNTED BETWEEN ACRYLIC)
- OTHER _____

LAMPING

- 1 X CFT 13W (see below)
- OTHER _____
- (1) 13 WATT FLUO. LAMP
- 2GX7 FOUR PIN LAMP BASE
- ELECTRONIC BALLAST

VOLTAGE

- 120V 277V OTHER _____

BALDINGER

BALDINGER ARCHITECTURAL LIGHTING INC
19-02 STEINWAY STREET, ASTORIA, NEW YORK 11105
TEL. (718) 204-5700 FAX. (718) 721-4986

LITTLE RICKY
RG-29450