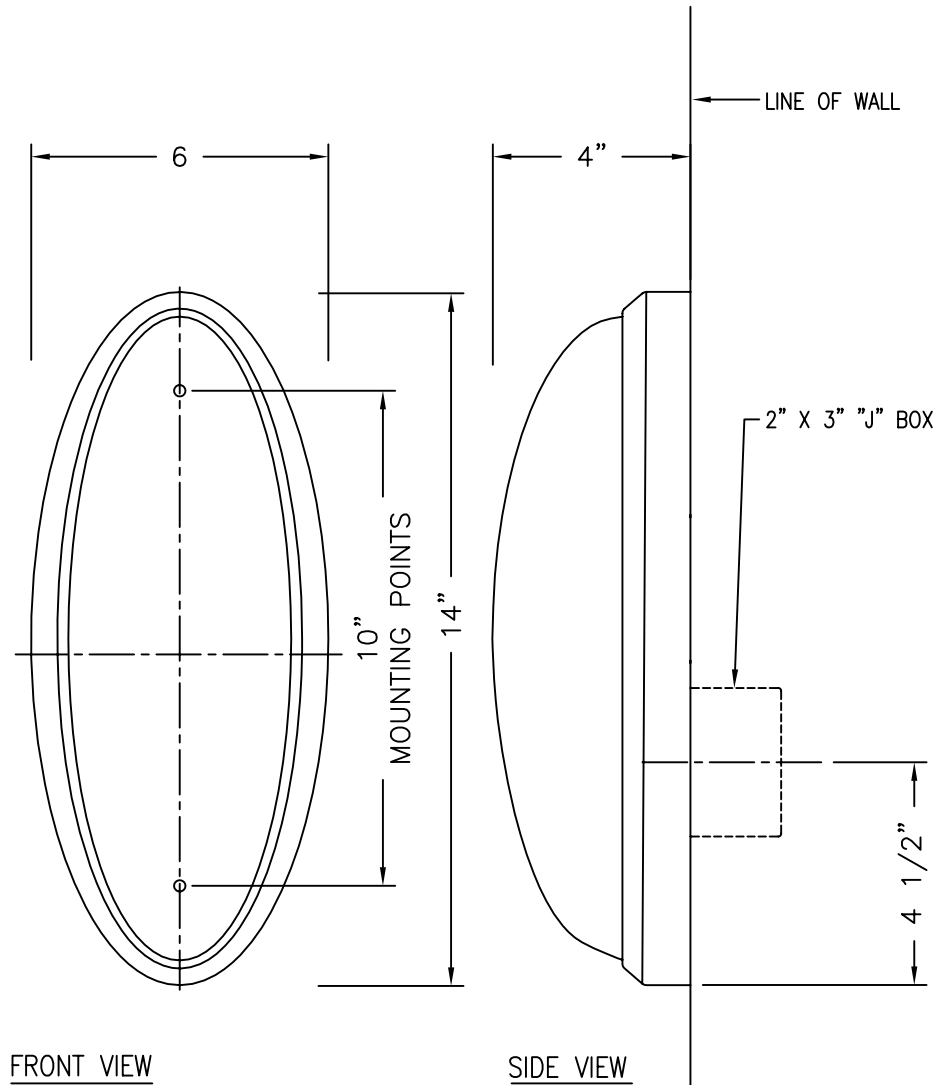


THE RYSIA SUCHECKA COLLECTION



© BALDINGER ARCHITECTURAL LIGHTING, INC.

PURCHASER: _____ DATE: 04/30/02

JOB NAME: _____ TYPE: _____ QUANTITY: _____

METAL FINISHES

- SATIN ALUMINUM
- PAINTED GLOSS WHITE
- PAINTED GLOSS BLACK
- OTHER _____

DIFFUSERS

- WHITE ACRYLIC
- OTHER _____

LAMPING

- (1) FT 18W T5-TWIN LAMP (see below)
- OTHER _____

ELECTRONIC BALLAST

VOLTAGE

- 120V
- 277V
- OTHER _____

BALDINGER

BALDINGER ARCHITECTURAL LIGHTING INC
 19-02 STEINWAY STREET, ASTORIA, NEW YORK 11105
 TEL. (718) 204-5700 FAX. (718) 721-4986

WALL SCONCE
SR 30550