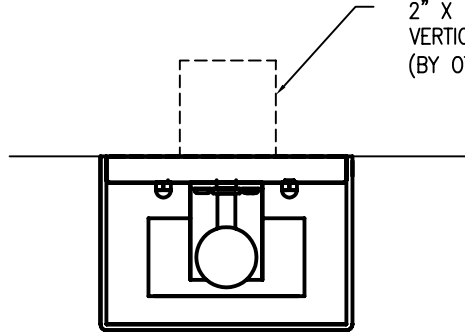
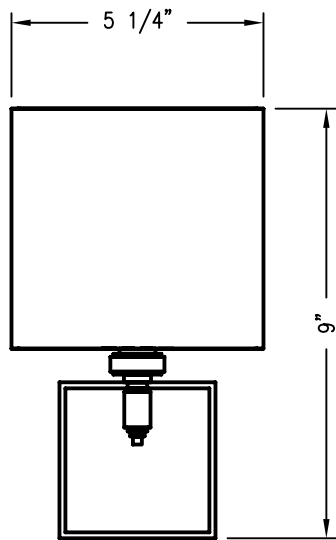


THE SHERRY WILLIAMSON COLLECTION

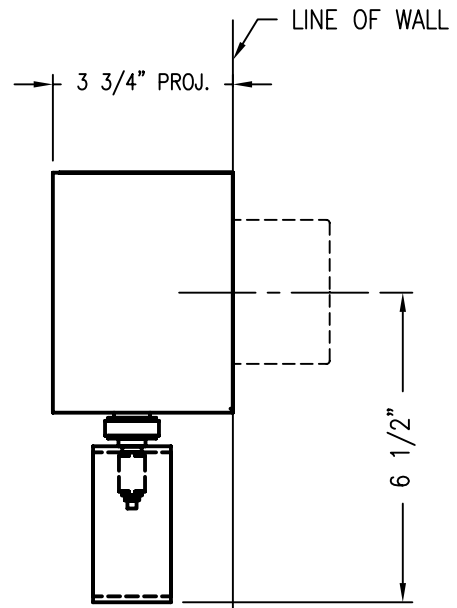
TO BE USED WITH 4" X 4" OR
2" X 3" GEM BOX MOUNTED
VERTICALLY OR HORIZONTALLY
(BY OTHERS)



TOP VIEW



FRONT VIEW



SIDE VIEW



© BALDINGER ARCHITECTURAL LIGHTING, INC.

FIXTURE WEIGHT: 3 LBS

PURCHASER: _____ DATE: _____

JOB NAME: _____ TYPE: _____ QUANTITY: _____

METAL FINISHES

- POLISHED BRASS
- SATIN BRASS
- ANTIQUE BRASS
- SATIN STAINLESS STEEL
- POLISHED STAINLESS STEEL
- OTHER _____

DIFFUSERS

- WHITE ACRYLIC
- BEIGE FAUX ALABASTER ON ACRYLIC
- WHITE FAUX ALABASTER ON ACRYLIC
- BEIGE LINEN SHADE
- WHITE LINEN SHADE
- OTHER _____

LAMPING

- (1) 60 WATT CANDELABRA (120V only)
- OTHER _____

VOLTAGE

- 120V
- 277V
- OTHER _____

BALDINGER

BALDINGER ARCHITECTURAL LIGHTING INC
19-02 STEINWAY STREET, ASTORIA, NEW YORK 11105
TEL. (718) 204-5700 FAX. (718) 721-4986

ANNONCE/S
SW30610

Rev. date: