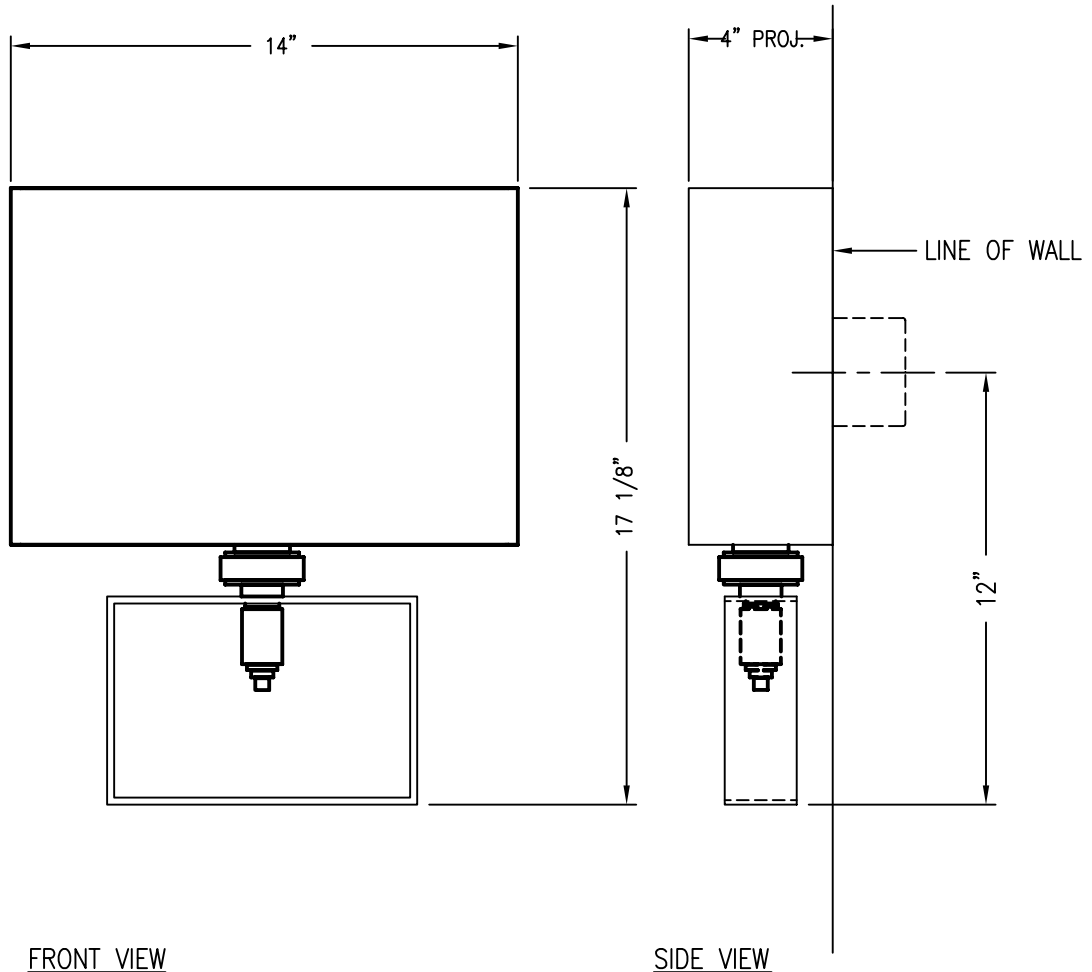


# SHERRY WILLIAMSON COLLECTION



© BALDINGER ARCHITECTURAL LIGHTING, INC.

FIXTURE WEIGHT: 10 LBS

PURCHASER: \_\_\_\_\_ DATE: 05/06/04

JOB NAME: \_\_\_\_\_ TYPE: \_\_\_\_\_ QUANTITY: \_\_\_\_\_

METAL FINISHES

- POLISHED BRASS
- SATIN BRASS
- ANTIQUE BRASS
- SATIN STAINLESS STEEL
- POLISHED STAINLESS STEEL
- OTHER \_\_\_\_\_

DIFFUSERS

- WHITE ACRYLIC
- BEIGE FAUX ALABASTER ON ACRYLIC
- WHITE FAUX ALABASTER ON ACRYLIC
- BEIGE LINEN SHADE
- WHITE LINEN SHADE
- OTHER \_\_\_\_\_

LAMPING

- 2 60W T-10 (120V only)
- (2) 18W CFQ (see below)
- OTHER \_\_\_\_\_

VOLTAGE

- 120V  277V  OTHER \_\_\_\_\_
- H.P.F.

**BALDINGER**

BALDINGER ARCHITECTURAL LIGHTING INC  
 19-02 STEINWAY STREET, ASTORIA, NEW YORK 11105  
 TEL. (718) 204-5700 FAX. (718) 721-4986

ANNONCE/L  
**SW30612**

Rev.date: